

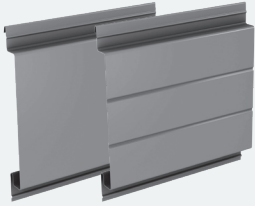


# IW SERIES WALL SYSTEM

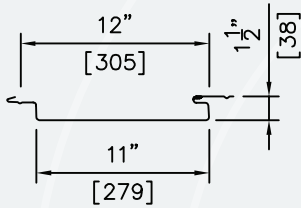
Concealed Fastener Panel

IW-40A, IW-41A

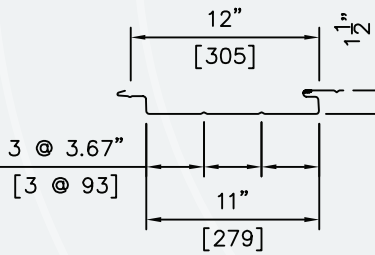
## TECHNICAL DATA SHEET



IW-40A IW-41A



IW-40A



IW-41A

### DESCRIPTION

The IW-40A panel is a 12" [305] wide concealed fastener panel with an 11" [279] flat and a 1" [25] recess. The IW-41A panel is similar but has dual stretch beads in the 11" [279] flat. All IW panels share a common lock-joint design which makes them interchangeable on a project. The lock also permits the placement of concealed fasteners, and minimizes moisture intrusion. All IW Series wall panels can be installed in a variety of rainscreen applications to form a complete wall system. Systems may vary from an uninsulated screen wall to MetalWrap™ Series, an insulated composite backup panel system with Advanced Thermal and Moisture Protection (ATMP®).

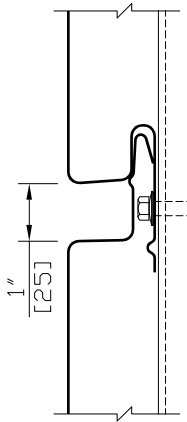
### GENERAL DESIGN OPTIONS

IW SERIES		
PANEL THICKNESS	1½" [38mm]	
PANEL COVERAGE	12" [305mm]	
SIDE LAP	Interlocking	
END LAPS	<b>Galvanized<sup>1</sup> (G90)</b>	<b>Aluminum<sup>1</sup> (3003-H14)</b>
	(see standard detail) Shop notched and swaged for vertical application only 2" [51mm] for 22 [0.76mm] and 20 [0.91mm] gages only. <sup>3,4,6</sup>  Rivets may be required for proper alignment. Flash or extrusion for all gages	(see standard detail) Shop notched and swaged 2" [51mm] for 0.040" [1.02mm] only. <sup>3,4,6</sup>  Flash or extrusion for all other thicknesses
GAGES (STANDARD)	20 [0.91mm], 22 [0.76mm]	0.040" [1.02mm]
GAGES (OPTIONAL)	18 [1.19mm] <sup>5</sup>	0.050" [1.27mm]
STANDARD LENGTH	5 [1.524m] - 25 ft. [7.62m]	5 [1.524m] - 20 ft. [6.096m]
STANDARD TEXTURE	Embossed <sup>2</sup> (20 [0.91mm] - 22 [0.76mm] gage only)	Embossed <sup>2,7</sup>
OPTIONAL TEXTURE	Smooth	Smooth
FINISHES	See CENTRIA Color Chart	See CENTRIA Color Chart

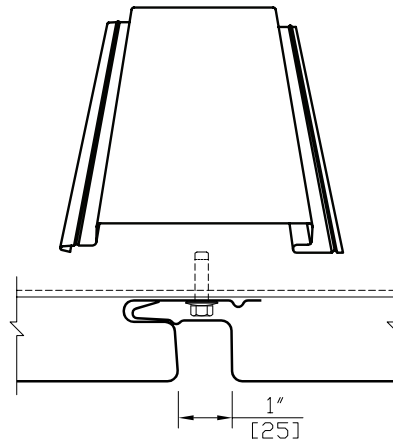
1. Alternate base material, panel lengths and gages may also be available. Contact CENTRIA.
2. Embossing is non-directional.
3. Shop swaged ends are not available for 18 gage steel, 0.050 aluminum.
4. MicroLine Extrusions can be used with horizontally installed panels only.
5. 18 gage cannot be embossed.
6. Swaged for vertical application only
7. 0.050" Embossed (optional gauge) is best effort ONLY

## DESIGN FEATURES & BENEFITS

- Concealed fastener design minimizes exposed fasteners
- Common lock-joint design makes all IW series panels interchangeable on a project & minimizes moisture intrusion
- Can be installed vertically or horizontally
- Excellent for new construction and retrofit projects
- Cost-effective, all-weather installation capability shortens installation time; permits fast-track scheduling
- Panels are available with embossed or smooth finishes



HORIZONTAL  
JOINT DETAIL



VERTICAL  
JOINT DETAIL

## NOTES

- A. For information on special applications, contact your local CENTRIA Sales Representative.
- B. All IW panels may be used on walls & soffits but not on roofs.
- C. Panel length tolerance is  $\pm 1/4"$  [6mm].
- D. For protective coatings - see CENTRIA color chart.
- E. Oil canning within mill tolerances will not be cause for rejection.
- F. Panels must be ordered as "horizontal" when used in a horizontal application.
- G. Horizontal Panels must be erected from top to bottom.