

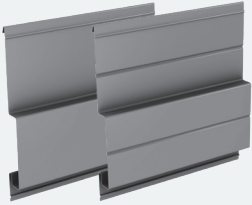


IW SERIES WALL SYSTEM

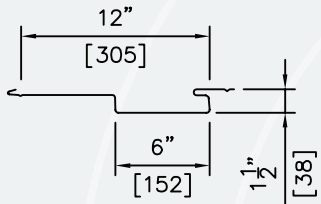
Concealed Fastener Panel

IW-20A, IW-21A

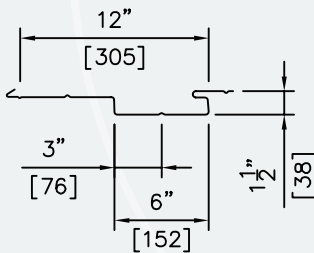
TECHNICAL DATA SHEET



IW-20A IW-21A



IW-20A



IW-21A

DESCRIPTION

The stepped profile of the IW-20A series creates a deep ribbed shadow pattern on a finished wall surface. The IW-21A's intermediate stretch ribs add a subtle highlight. All IW panels share a common lock-joint design which makes them interchangeable on a project. The lock also permits the placement of concealed fasteners, and minimizes moisture intrusion. All IW Series wall panels can be installed in a variety of rainscreen applications to form a complete wall system. Systems may vary from an uninsulated screen wall to MetalWrap™ Series, an insulated composite backup panel system with Advanced Thermal and Moisture Protection (ATMP®).

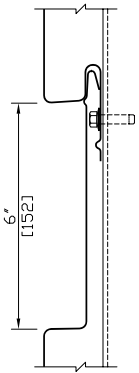
GENERAL DESIGN OPTIONS

IW SERIES		
PANEL THICKNESS	1½" [38mm]	
PANEL COVERAGE	12" [305mm]	
SIDE LAP	Interlocking	
END LAPS	Galvanized¹ (G90)	Aluminum¹ (3003-H14)
	(see standard detail) Shop notched and swaged 2" [51mm] for 22 [0.76mm] and 20 [0.91mm] gages only. ^{3,4,6} Rivets may be required for proper alignment. Flash or extrusion for all gages	(see standard detail) Shop notched and swaged 2" [51mm] for 0.040" [1.02mm] only. ^{3,4,6} Flash or extrusion for all other thicknesses
GAGES (STANDARD)	20 [0.91mm], 22 [0.76mm]	0.040" [1.02mm]
GAGES (OPTIONAL)	18 [1.19mm] ⁵	0.050" [1.27mm]
STANDARD LENGTH	5 [1.524m] - 25 ft. [7.62m]	5 [1.524m] - 20 ft. [6.096m]
STANDARD TEXTURE	Embossed ² (20 [0.91mm] - 22 [0.76mm] gage only)	Embossed ^{2,7}
OPTIONAL TEXTURE	Smooth	Smooth
FINISHES	See CENTRIA Color Chart	See CENTRIA Color Chart

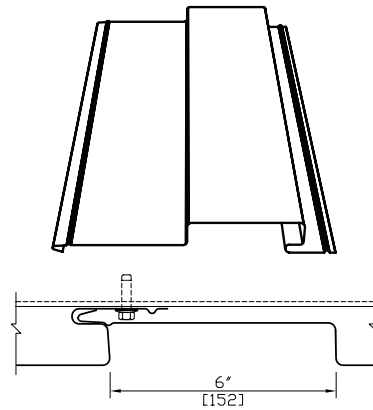
1. Alternate base material, panel lengths and gages may also be available. Contact CENTRIA.
2. Embossing is non-directional.
3. Shop swaged ends are not available for 18 gage steel, 0.050 aluminum.
4. MicroLine Extrusions can be used with horizontally installed panels only.
5. 18 gage cannot be embossed.
6. Swaged for vertical application only
7. 0.050" Embossed (optional gauge) is best effort ONLY

DESIGN FEATURES & BENEFITS

- Concealed fastener design minimizes exposed fasteners
- Common lock-joint design makes all IW series panels interchangeable on a project & minimizes moisture intrusion
- Can be installed vertically or horizontally
- Excellent for new construction and retrofit projects
- Cost-effective, all-weather installation capability shortens installation time; permits fast-track scheduling
- Panels are available with embossed or smooth finishes



HORIZONTAL
JOINT DETAIL



VERTICAL
JOINT DETAIL

NOTES

- A. For information on special applications, contact your local CENTRIA Sales Representative.
- B. All IW panels may be used on walls & soffits but not on roofs.
- C. Panel length tolerance is $\pm 1/4$ " [6mm].
- D. For protective coatings - see CENTRIA color chart.
- E. Oil canning within mill tolerances will not be cause for rejection.
- F. Panels must be ordered as "horizontal" when used in a horizontal application.
- G. Horizontal Panels must be erected from top to bottom.