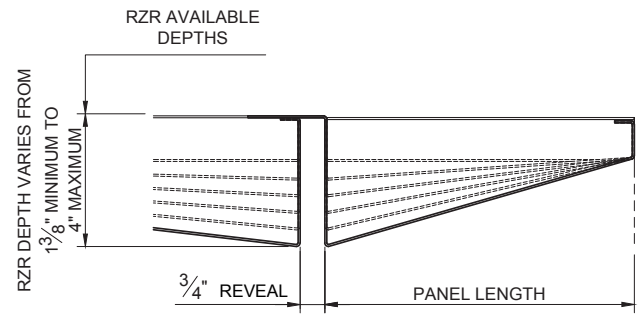


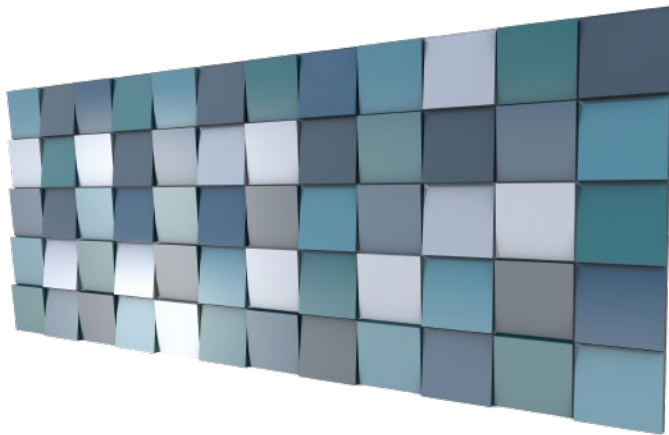
**DESCRIPTION**

The Intercept RZR is a modular metal panel that offers unique sloped depth in both horizontal and vertical applications with concealed fastener attachment for exterior walls and soffits. Panels can vary from 1-3/8" deep to a maximum of 4" deep and are available in 0.060" thick aluminum and 1.5mm zinc. Standard vertical and horizontal panel joint reveals are 3/4" wide. RZR integrates seamlessly with Intercept LVLZ, HLZ, and Entyre for more dramatic plane changes. System designs may vary from an uninsulated screen wall to Intercept RZR with MetalWrap™ Series, an insulated composite backup panel system. Pre-finished aluminum intercept RZR panels are available with a 20-year standard warranty and unlimited color selection.

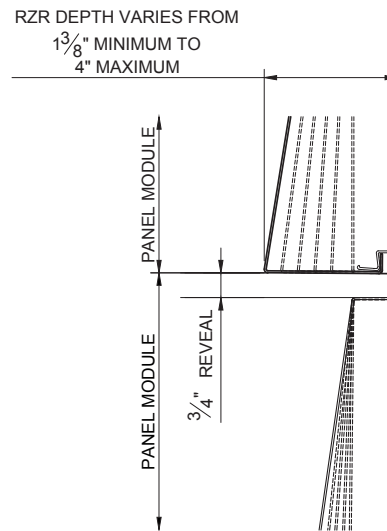


**NOTES**

- A. For more information contact your local CENTRIA Sales Representative.
- B. Panel Dimension Tolerance +/- 1/16".
- C. Intercept RZR is a sequentially installed panel system.



**END JOINT**



**SIDE JOINT**

**GENERAL DESIGN OPTIONS**

	0.060" ALUMINUM	1.5mm ZINC
MAXIMUM PANEL MODULE <sup>1</sup>	See Chart (page 2)	See Chart (page 2)
MAXIMUM PANEL LENGTH <sup>1</sup>	See Chart (page 2)	See Chart (page 2)
PANEL REVEAL WIDTH	3/4" [19mm]	3/4" [19mm]
PANEL SHAPES	Square or Rectangle	Square or Rectangle
PANEL DEPTH	1 3/8" [35mm], 2" [51mm], 2-1/2" [64mm], 3" [76mm], 3-1/2" [89mm], 4" [102mm]	
STANDARD TEXTURE	Smooth	Natural
WEIGHT <sup>2</sup>	Approximate weight in lb. / sf. based on panel sloped depths in inches <sup>2</sup>	
1-3/8" to 4" [35mm to 102mm]	1.4	3.0
2" to 4" [51mm to 102mm]	1.4	3.0
2-1/2" to 4" [64mm to 102mm]	1.5	3.5
3" to 4" [76mm to 102mm]	1.5	3.5
3-1/2" to 4" [89mm to 102mm]	1.5	3.5
FINISHES <sup>3</sup>	Allura™, Celestial™ Effects, Duragard®, Duragard® Plus, Fluorofinish®, Impressions® <sup>4</sup> , Kolorshift™, Sundance™ AM and Sundance™ Mica	See ZINC flyer for color options

1. Contact CENTRIA for larger size panels. Overall panel size is aspect dependent. Maximum panel module and length cannot be combined on the same panel.  
 2. Random direction, panel to panel variation expected.  
 3. Approximate weights were calculated based on a 24" x 36" panel. Actual weights may vary.  
 4. Impressions® Light Maple, Medium Maple and Dark Maple have a maximum module size of 39" for some panels. Contact CENTRIA for larger sizes and additional information

**INTERCEPT RZR - HORIZONTAL  
SLOPE: TOP TO BOTTOM / BOTTOM TO TOP**

**ALUMINUM**

		PANEL LENGTH (INCHES)												
		16 3/4"	24"	36"	48"	60"	72"	84"	96"	108"	120"	132"	144"	156"
PANEL MODULE	48"													
	42"													
	36"													
	30"													
	24"													
	18"													
	16 3/4"													
		PANEL LENGTH (FEET)												
		1'-4 3/4"	2'-0"	3'-0"	4'-0"	5'-0"	6'-0"	7'-0"	8'-0"	9'-0"	10'-0"	11'-0"	12'-0"	13'-0"

**INTERCEPT RZR - HORIZONTAL  
SLOPE: LEFT TO RIGHT / RIGHT TO LEFT**

**ALUMINUM**

		PANEL MODULE (INCHES)												
		16 3/4"	24"	36"	48"	60"	72"	84"	96"	108"	120"	132"	144"	156"
PANEL LENGTH	48"													
	42"													
	36"													
	30"													
	24"													
	18"													
	16 3/4"													
		PANEL MODULE (FEET)												
		1'-4 3/4"	2'-0"	3'-0"	4'-0"	5'-0"	6'-0"	7'-0"	8'-0"	9'-0"	10'-0"	11'-0"	12'-0"	13'-0"

 RECOMMENDED MAXIMUM  
PANEL DIMENSIONS

 CONTACT CENTRIA FOR  
GUIDANCE

 EXCEEDS SIZE LIMITS

**INTERCEPT RZR - VERTICAL**  
**SLOPE: LEFT TO RIGHT / RIGHT TO LEFT**

**ALUMINUM**

		PANEL LENGTH (INCHES)												
		16 3/4"	24"	36"	48"	60"	72"	84"	96"	108"	120"	132"	144"	156"
PANEL MODULE	48"													
	42"													
	36"													
	30"													
	24"													
	18"													
	16 3/4"													
		1'-4 3/4"	2'-0"	3'-0"	4'-0"	5'-0"	6'-0"	7'-0"	8'-0"	9'-0"	10'-0"	11'-0"	12'-0"	13'-0"





PANEL LENGTH (FEET)

**INTERCEPT RZR - VERTICAL**  
**SLOPE: TOP TO BOTTOM / BOTTOM TO TOP**

**ALUMINUM**

		PANEL MODULE (INCHES)												
		16 3/4"	24"	36"	48"	60"	72"	84"	96"	108"	120"	132"	144"	156"
PANEL LENGTH	48"													
	42"													
	36"													
	30"													
	24"													
	18"													
	16 3/4"													
		1'-4 3/4"	2'-0"	3'-0"	4'-0"	5'-0"	6'-0"	7'-0"	8'-0"	9'-0"	10'-0"	11'-0"	12'-0"	13'-0"

PANEL MODULE (FEET)

	RECOMMENDED MAXIMUM PANEL DIMENSIONS		CONTACT CENTRIA FOR GUIDANCE		PANEL SIZES NOT POSSIBLE WITH DIRECTIONAL FINISHES		EXCEEDS SIZE LIMITS
---	--------------------------------------	---	------------------------------	---	--	---	---------------------

**INTERCEPT RZR - HORIZONTAL**  
**SLOPE: TOP TO BOTTOM / BOTTOM TO TOP**

**ZINC**

**PANEL LENGTH (INCHES)**

	16 <sup>3</sup> / <sub>4</sub> "	24"	36"	48"	60"	72"	84"	96"	108"	120"	132"	144"	156"
PANEL MODULE	30"												
	24"												
	18"												
	16 <sup>3</sup> / <sub>4</sub> "												
	1'-4 <sup>3</sup> / <sub>4</sub> "	2'-0"	3'-0"	4'-0"	5'-0"	6'-0"	7'-0"	8'-0"	9'-0"	10'-0"	11'-0"	12'-0"	13'-0"

**PANEL LENGTH (FEET)**

**INTERCEPT RZR - HORIZONTAL**  
**SLOPE: LEFT TO RIGHT / RIGHT TO LEFT**

**ZINC**

**PANEL MODULE (INCHES)**

	16 <sup>3</sup> / <sub>4</sub> "	24"	36"	48"	60"	72"	84"	96"	108"	120"	132"	144"	156"
PANEL LENGTH	30"												
	24"												
	18"												
	16 <sup>3</sup> / <sub>4</sub> "												
	1'-4 <sup>3</sup> / <sub>4</sub> "	2'-0"	3'-0"	4'-0"	5'-0"	6'-0"	7'-0"	8'-0"	9'-0"	10'-0"	11'-0"	12'-0"	13'-0"

**PANEL MODULE (FEET)**

 RECOMMENDED MAXIMUM  
 PANEL DIMENSIONS

 CONTACT CENTRIA FOR  
 GUIDANCE

 EXCEEDS SIZE LIMITS

**INTERCEPT RZR - VERTICAL**  
**SLOPE: LEFT TO RIGHT / RIGHT TO LEFT**

**ZINC**

**PANEL LENGTH (INCHES)**

	16 <sup>3</sup> / <sub>4</sub> "	24"	36"	48"	60"	72"	84"	96"	108"	120"	132"	144"	156"
PANEL MODULE	30"												
	24"												
	18"												
	16 <sup>3</sup> / <sub>4</sub> "												
	1'-4 <sup>3</sup> / <sub>4</sub> "	2'-0"	3'-0"	4'-0"	5'-0"	6'-0"	7'-0"	8'-0"	9'-0"	10'-0"	11'-0"	12'-0"	13'-0"

**PANEL LENGTH (FEET)**

**INTERCEPT RZR - VERTICAL**  
**SLOPE: TOP TO BOTTOM / BOTTOM TO TOP**

**ZINC**


**PANEL MODULE (INCHES)**

	16 <sup>3</sup> / <sub>4</sub> "	24"	36"	48"	60"	72"	84"	96"	108"	120"	132"	144"	156"
PANEL LENGTH	30"												
	24"												
	18"												
	16 <sup>3</sup> / <sub>4</sub> "												
	1'-4 <sup>3</sup> / <sub>4</sub> "	2'-0"	3'-0"	4'-0"	5'-0"	6'-0"	7'-0"	8'-0"	9'-0"	10'-0"	11'-0"	12'-0"	13'-0"

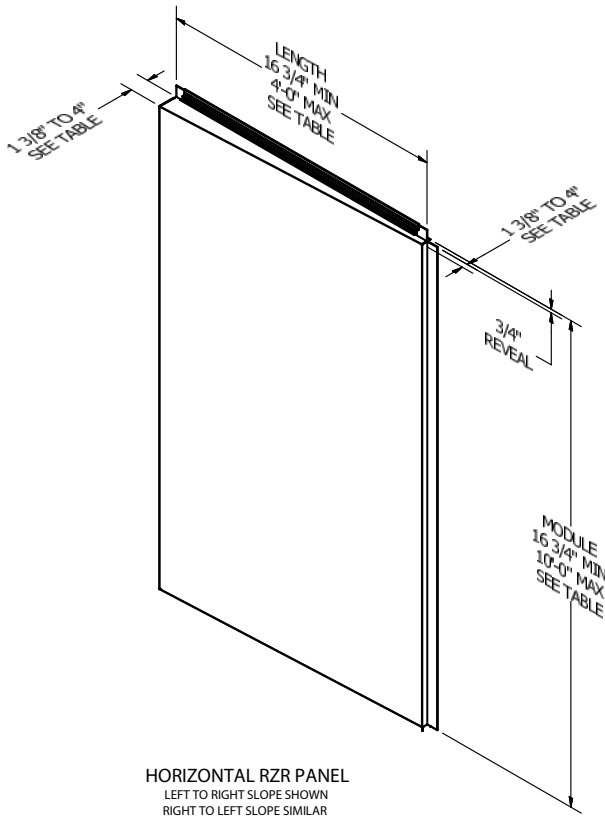
**PANEL MODULE (FEET)**

 RECOMMENDED MAXIMUM  
PANEL DIMENSIONS

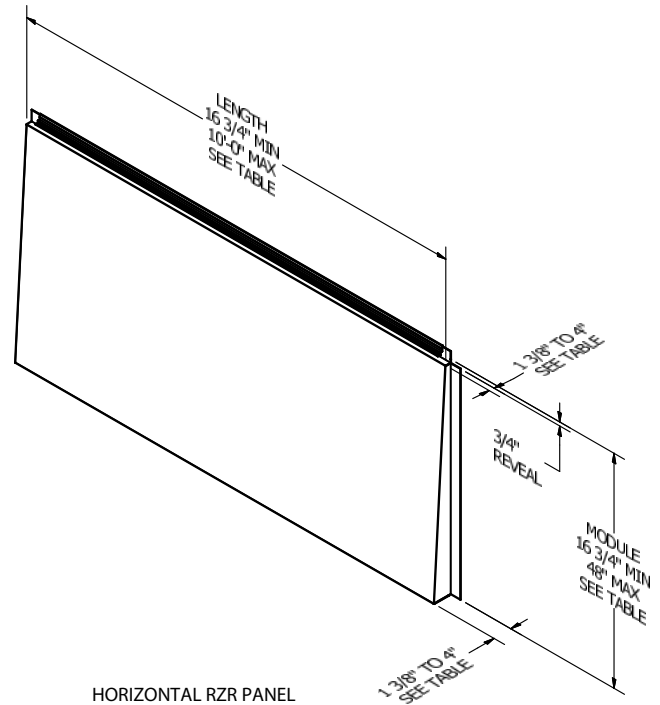
 CONTACT CENTRIA FOR  
GUIDANCE

 PANEL SIZES NOT POSSIBLE  
WITH DIRECTIONAL FINISHES

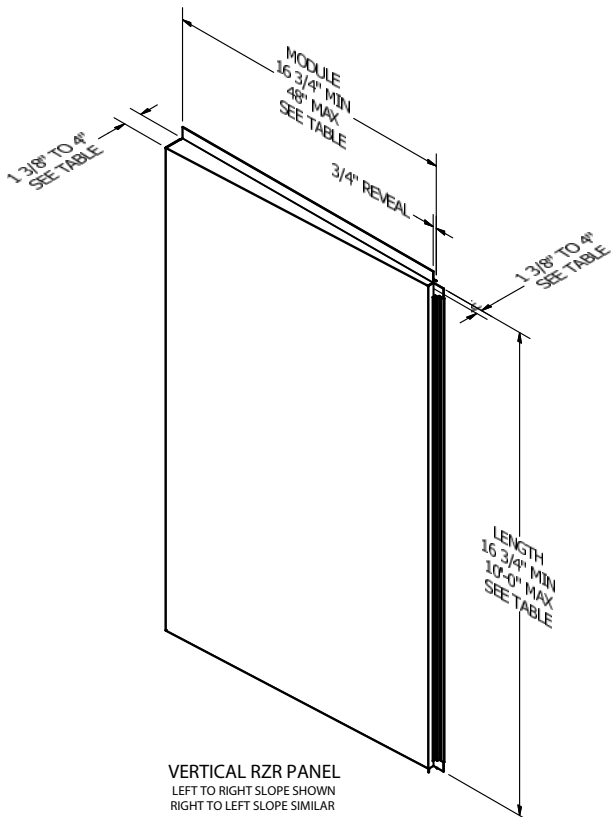
 EXCEEDS SIZE LIMITS



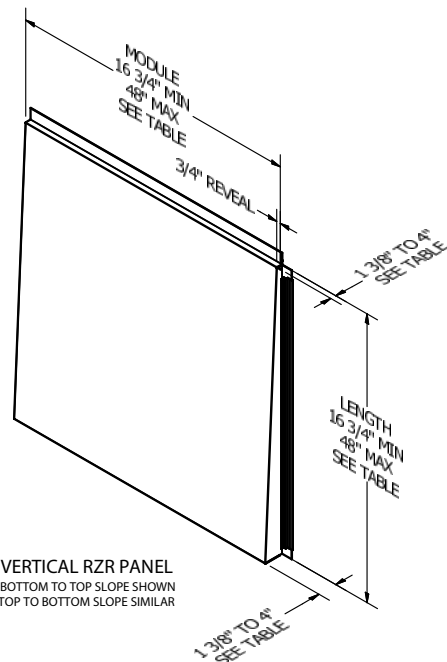
**HORIZONTAL RZR PANEL**  
LEFT TO RIGHT SLOPE SHOWN  
RIGHT TO LEFT SLOPE SIMILAR



**HORIZONTAL RZR PANEL**  
BOTTOM TO TOP SLOPE SHOWN  
TOP TO BOTTOM SLOPE SIMILAR



**VERTICAL RZR PANEL**  
LEFT TO RIGHT SLOPE SHOWN  
RIGHT TO LEFT SLOPE SIMILAR



**VERTICAL RZR PANEL**  
BOTTOM TO TOP SLOPE SHOWN  
TOP TO BOTTOM SLOPE SIMILAR