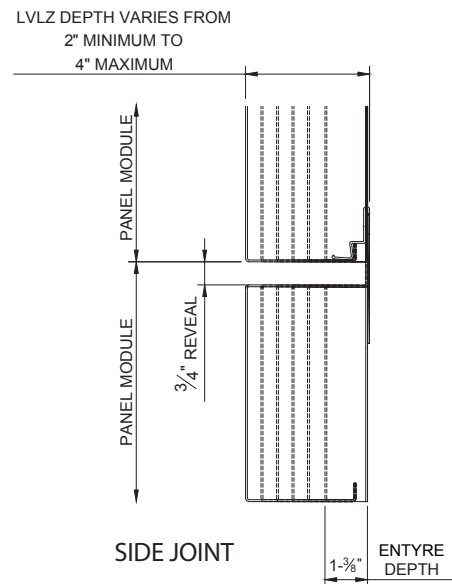
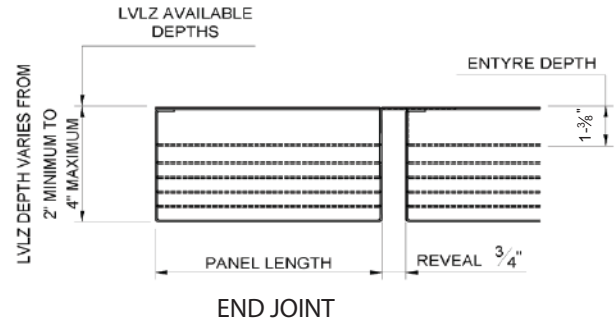
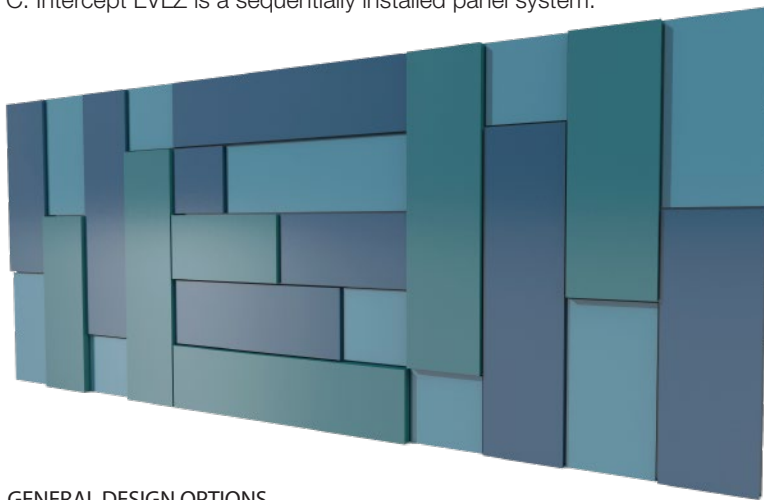


DESCRIPTION

The Intercept LVLZ is a modular metal panel with concealed fastener attachment for exterior walls and soffits. Panels can vary from 2" deep to 4" deep and are available in 0.060" thick aluminum, 1.5mm zinc and 18 gauge stainless steel. Standard vertical and horizontal panel joint reveals are 3/4" wide. LVLZ integrates seamlessly with Intercept RZR, HLZ, and Entyre for more dramatic plane changes. System designs may vary from an uninsulated screen wall to Intercept LVLZ with MetalWrap™ Series, an insulated composite backup panel system. Pre-finished aluminum Intercept LVLZ panels are available with a 20-year standard finish warranty and unlimited color selection.

NOTES

- A. For more information contact your local CENTRIA Sales Representative.
- B. Panel Dimension Tolerance +/- 1/16".
- C. Intercept LVLZ is a sequentially installed panel system.



GENERAL DESIGN OPTIONS

	0.060" ALUMINUM	1.5mm ZINC	18 GAUGE STAINLESS STEEL ²
MAXIMUM PANEL MODULE ¹	See Chart (page 2)	See Chart (page 2)	See Chart (page 2)
MAXIMUM PANEL LENGTH ¹	See Chart (page 2)	See Chart (page 2)	See Chart (page 2)
PANEL REVEAL WIDTH	3/4" [19mm]	3/4" [19mm]	3/4" [19mm]
PANEL SHAPES	Square or Rectangle	Square or Rectangle	Square or Rectangle
PANEL DEPTH	2" [51mm], 2-1/2" [64mm], 3" [76mm], 3-1/2" [89mm], 4" [102mm]		
STANDARD TEXTURE	Smooth	Natural	Natural
WEIGHT ³	Approximate weight in lb. / sf. based on panel depth in inches		
2" [51mm]	1.0	3.0	3.0
2-1/2" [64mm]	1.5	3.0	3.0
3" [76mm]	1.5	3.5	3.0
3-1/2" [89mm]	1.5	3.5	3.0
4" [102mm]	1.5	4.0	3.5
FINISHES ⁴	Allura™, Celestial™ Effects, Duragard®, Duragard® Plus, Fluorofinish®, Impressions® ⁵ , Kolorshift™, Sundance™ AM and Sundance™ Mica	See Zinc flyer for color options	#4 Brushed

1. Contact CENTRIA for larger size panels. Overall panel size is aspect dependent. Maximum panel module and length cannot be combined on the same panel.
2. The SS substrate used for an Intercept panel is similar in properties to series 440SS. Contact CENTRIA for more information about this particular substrate and how it compares to 304 series SS.
3. Approximate weights were calculated based on a 24" x 36" panel. Actual weights may vary.
4. Random direction, panel to panel variation expected.
5. Impressions® Light Maple, Medium Maple and Dark Maple have a maximum module size of 41" for some panels. Contact CENTRIA for larger sizes and additional information

ALUMINUM

PANEL LENGTH (INCHES)

	12"	24"	36"	48"	60"	72"	84"	96"	108"	120"	132"	144"	156"
PANEL MODULE	48"												
	42"												
	36"												
	30"												
	24"												
	18"												
	12 1/2"												
		1'-0"	2'-0"	3'-0"	4'-0"	5'-0"	6'-0"	7'-0"	8'-0"	9'-0"	10'-0"	11'-0"	12'-0"

PANEL LENGTH (FEET)

STAINLESS

PANEL LENGTH (INCHES)

	12"	24"	36"	48"	60"	72"	84"	96"	108"	120"	132"	144"	156"
PANEL MODULE	36"												
	30"												
	24"												
	18"												
	12 1/2"												
	1'-0"	2'-0"	3'-0"	4'-0"	5'-0"	6'-0"	7'-0"	8'-0"	9'-0"	10'-0"	11'-0"	12'-0"	13'-0"

PANEL LENGTH (FEET)

ZINC

PANEL LENGTH (INCHES)

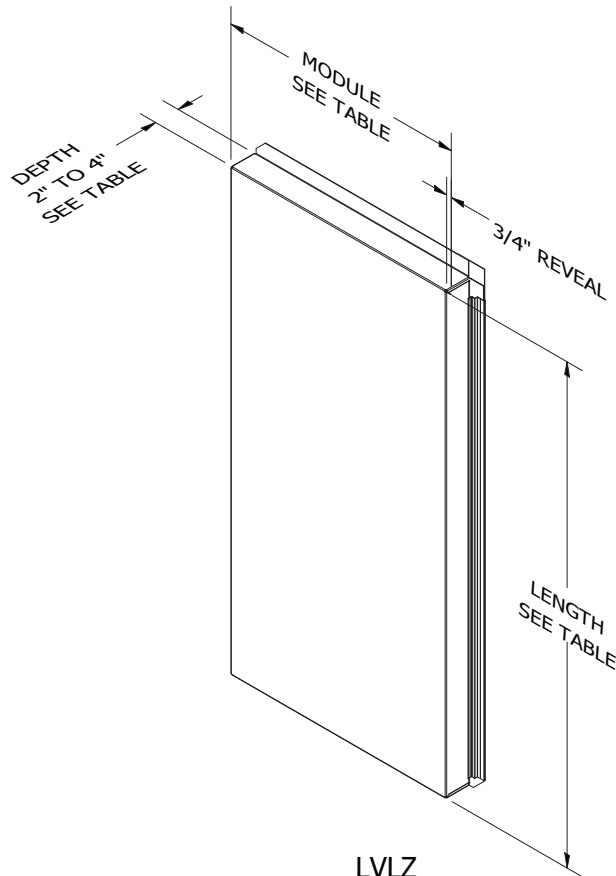
	12"	24"	36"	48"	60"	72"	84"	96"	108"	120"	132"	144"	156"
PANEL MODULE	30"												
	24"												
	18"												
	12 1/2"												
	1'-0"	2'-0"	3'-0"	4'-0"	5'-0"	6'-0"	7'-0"	8'-0"	9'-0"	10'-0"	11'-0"	12'-0"	13'-0"

PANEL LENGTH (FEET)

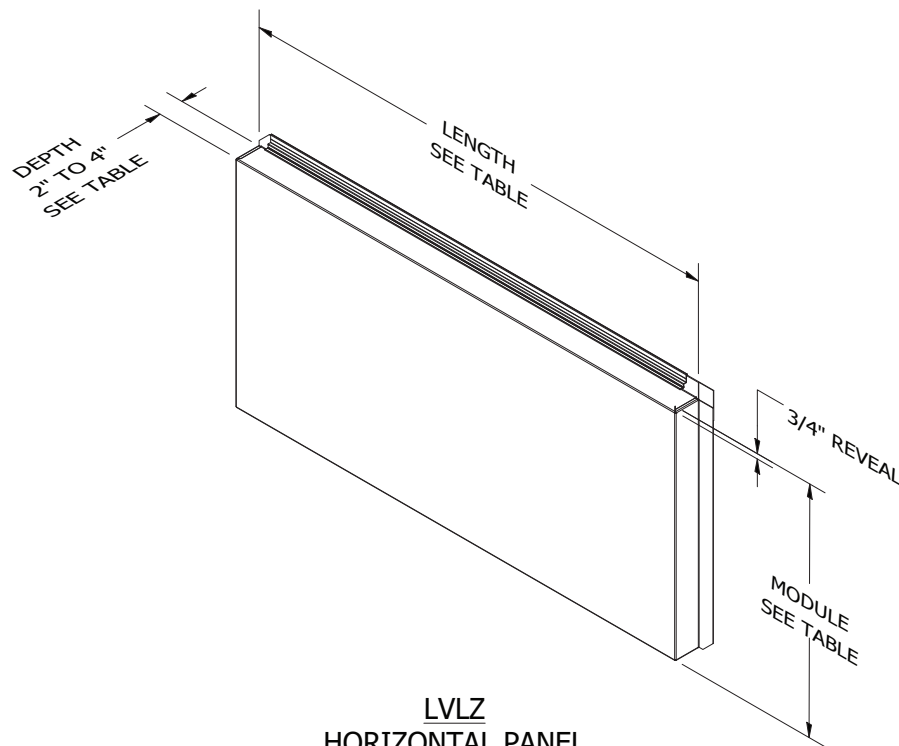
 RECOMMENDED MAXIMUM
PANEL DIMENSIONS

 CONTACT CENTRIA FOR
GUIDANCE

 EXCEEDS SIZE LIMITS



LVLZ
VERTICAL PANEL



LVLZ
HORIZONTAL PANEL