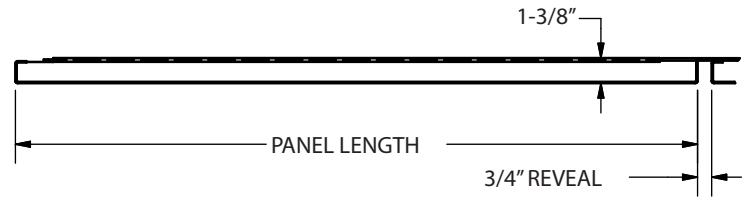


DESCRIPTION

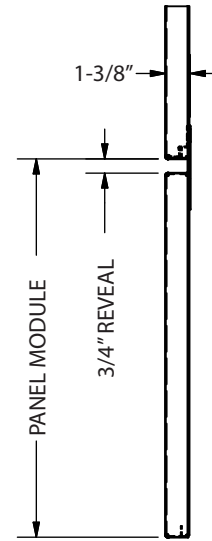
Intercept Entyre is a modular metal panel with concealed fastener attachment for exterior walls and soffits. Panels are 1-3/8" deep and available in 0.060" thick aluminum, 1.5mm zinc, 18 gauge stainless steel or 0.050" copper. Standard vertical and horizontal panel joint reveals are 3/4" wide. The open joint Intercept Entyre may be installed in a variety of rainscreen applications to form a complete exterior wall system. System designs may vary from an uninsulated screen wall to Intercept Entyre with MetalWrap™ Series, an insulated composite backup panel system. Entyre integrates seamlessly with Intercept LVLZ, RZR, and HLZ for more dramatic plane changes. Pre-finished aluminum Intercept Entyre Panels are available with a 20-year standard finish warranty and unlimited color selection.

NOTES

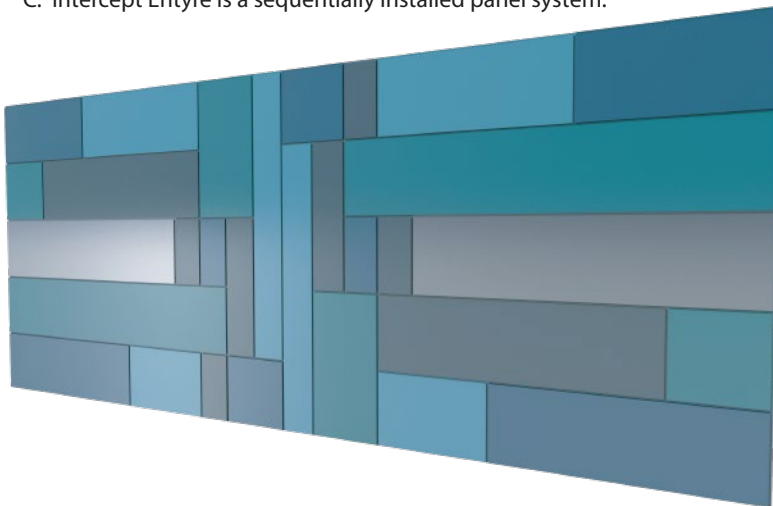
- A. For more information contact your local CENTRIA Sales Representative.
- B. Panel Dimension Tolerance +/- 1/16".
- C. Intercept Entyre is a sequentially installed panel system.



END JOINT



SIDE JOINT



GENERAL DESIGN OPTIONS

	0.060" ALUMINUM	1.5mm ZINC	18 GAUGE STAINLESS STEEL ¹	0.050" COPPER
MAXIMUM PANEL MODULE	See Chart (page 2)	See Chart (page 2)	See Chart (page 2)	See Chart (page 2)
MAXIMUM PANEL LENGTH	See Chart (page 2)	See Chart (page 2)	See Chart (page 2)	See Chart (page 2)
PANEL REVEAL WIDTH	3/4" [19mm]	3/4" [19mm]	3/4" [19mm]	3/4" [19mm]
PANEL SHAPES	Square or Rectangle	Square or Rectangle	Square or Rectangle	Square or Rectangle
PANEL DEPTH	1-3/8" [35mm]	1-3/8" [35mm]	1-3/8" [35mm]	1-3/8" [35mm]
STANDARD TEXTURE	Smooth	Natural	Natural	Natural
WEIGHT ²	Approx. 1.5 lb. / sf.	Approx. 3.0 lb. / sf.	Approx. 2.5 lb. / sf.	Approx. 3.3 lb. / sf.
FINISHES ³	Allura™, Celestial™ Effects, Duragard®, Duragard® Plus, Fluorofinish®, Impressions® ⁴ , Kolorshift™, Sundance™ AM and Sundance™ Mica	See Zinc flyer for color options	#4 Brushed	Milled

1. The SS substrate used for an Intercept panel is similar in properties to series 440SS. Contact CENTRIA for more information about this particular substrate and how it compares to 304 series SS.
 2. Approximate weights were calculated based on a 24" x 36" panel. Actual weights may vary.
 3. Random direction, panel to panel variation expected.
 4. Impressions® Light Maple, Medium Maple and Dark Maple have a maximum module size of 46.5" for some panels. Contact CENTRIA for larger sizes and additional information

ALUMINUM

PANEL LENGTH (INCHES)

	12"	24"	36"	48"	60"	72"	84"	96"	108"	120"	132"	144"	156"
PANEL MODULE	48"												
	42"												
	36"												
	30"												
	24"												
	18"												
	12-1/2"												
		1'-0"	2'-0"	3'-0"	4'-0"	5'-0"	6'-0"	7'-0"	8'-0"	9'-0"	10'-0"	11'-0"	12'-0"

PANEL LENGTH (FEET)

ZINC

PANEL LENGTH (INCHES)

	12"	24"	36"	48"	60"	72"	84"	96"	108"	120"	132"	144"	156"
PANEL MODULE	30"												
	24"												
	18"												
	12-1/2"												
	1'-0"	2'-0"	3'-0"	4'-0"	5'-0"	6'-0"	7'-0"	8'-0"	9'-0"	10'-0"	11'-0"	12'-0"	13'-0"

PANEL LENGTH (FEET)

STAINLESS

PANEL LENGTH (INCHES)

	12"	24"	36"	48"	60"	72"	84"	96"	108"	120"	132"	144"	156"
PANEL MODULE	42"												
	36"												
	30"												
	24"												
	18"												
	12-1/2"												
	1'-0"	2'-0"	3'-0"	4'-0"	5'-0"	6'-0"	7'-0"	8'-0"	9'-0"	10'-0"	11'-0"	12'-0"	13'-0"

PANEL LENGTH (FEET)

COPPER

PANEL LENGTH (INCHES)

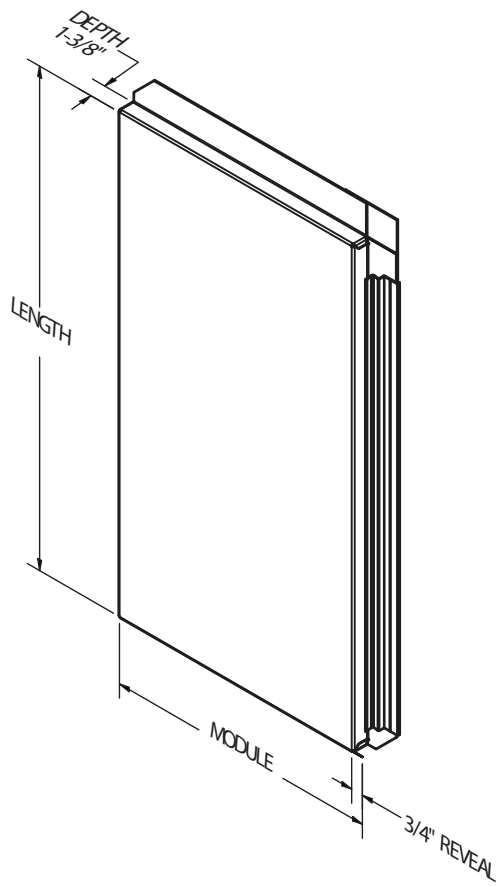
	12"	24"	36"	48"	60"	79"	84"	96"	108"	120"	132"	144"	156"
PANEL MODULE	26"												
	18"												
	12-1/2"												
		1'-0"	2'-0"	3'-0"	4'-0"	5'-0"	6'-7"	7'-0"	8'-0"	9'-0"	10'-0"	11'-0"	12'-0"

PANEL LENGTH (FEET)

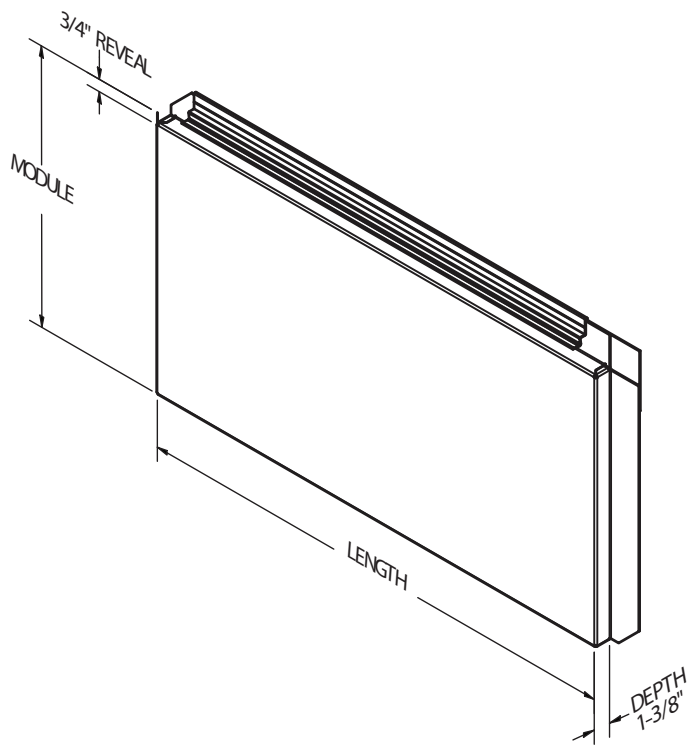
 RECOMMENDED MAXIMUM PANEL DIMENSIONS

 CONTACT CENTRIA FOR GUIDANCE

 EXCEEDS SIZE LIMITS



VERTICAL PANEL



HORIZONTAL PANEL