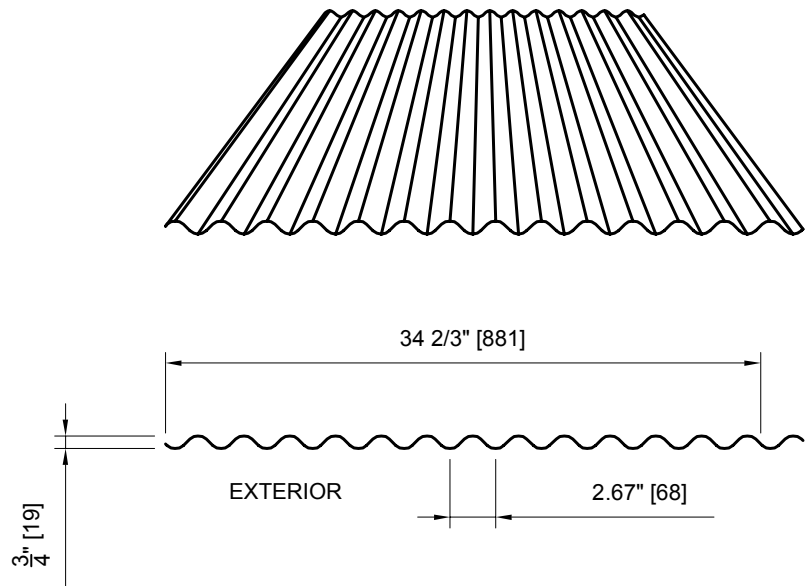


## Description

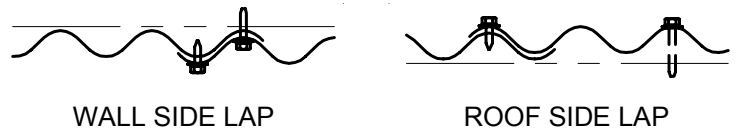
Econolap 3/4" profile offers a more pronounced corrugation and increased span capability over most corrugated panels. Econolap 3/4" side laps in the high cell when used as a wall or roof panel.

All Exposed Fastener wall panels may be installed in a variety of rainscreen applications to form a complete wall system. Systems may vary from an uninsulated screenwall to MetalWrap™ Series, an insulated composite backup panel system with Advanced Thermal and Moisture Protection (ATMP®). Refer to CENTRIA Technical bulletin TB-05-10 for all rainscreen applications.



## Notes

- A. For information on special applications, contact your local CENTRIA Sales Representative.
- B. Minimum of roof slope = 2" in 12" [51mm in 305mm]
- C. Panel length tolerance is ± 1/4" [6mm].
- D. For protective coatings - see CENTRIA color chart.
- E. Oil canning within mill tolerances will not be cause for rejection.



## Panel Availability

	<b>GALVANIZED<sup>1</sup> (G90)</b>	<b>STAINLESS STEEL<sup>1</sup> (304)</b>	<b>ALUMINUM<sup>1</sup> (3003-H14)</b>
<b>PANEL THICKNESS</b>	3/4" [19mm]	3/4" [19mm]	3/4" [19mm]
<b>PANEL COVERAGE</b>	34 2/3" [881mm]	34 2/3" [881mm]	34 2/3" [881mm]
<b>LAPS (SIDE)</b>	Overlapping	Overlapping	Overlapping
<b>LAPS (END)</b>	Overlapping, Flash, MicroLine Extrusion <sup>3</sup>	Overlapping, Flash	Overlapping, Flash, MicroLine Extrusion <sup>3</sup>
<b>GAGES (STANDARD)</b>	20 [.91mm], 22 [.76mm], 24 [.60mm]	20 [.91mm], 22 [.76mm], 24 [.60mm]	.032 [.81mm], .040 [1.02mm], .050 [1.27mm]
<b>GAGES (OPTIONAL)</b>	18 [1.19mm]	N/A	N/A
<b>LENGTH (STANDARD)</b>	5 [1.524m] - 40 ft. [12.192m] <sup>3</sup>	5 [1.524m] - 40 ft. [12.192m]	5 [1.524m] - 20 ft. [6.096m]
<b>LENGTH (OPTIONAL)</b>	1 [.305m] - 5 ft. [1.524m] 40 [12.192m] - 48 ft. [14.630m]	1 [.305m] - 5 ft. [1.524m], 40 [12.192m] - 48 ft. [14.630m]	1 [.305m] - 5 ft. [1.524m]
<b>STANDARD TEXTURE</b>	Smooth	Smooth	Smooth
<b>OPTIONAL TEXTURE</b>	Embossed <sup>2</sup> (Not available in 18 gage)	Embossed <sup>2</sup>	Embossed <sup>2</sup>
<b>FINISHES</b>	See CENTRIA Color Chart	#4 Brushed	See CENTRIA Color Chart

1. Alternate base material, panel lengths and gages may also be available. Contact CENTRIA.  
 2. Embossing is non-directional.  
 3. MicroLine Extrusions can be used with horizontally installed panels only.