



**FIND NEW FREEDOM  
TO CREATE**

With Formavue windows, Formawall is the complete building envelope system with built-in high performance and unmatched design flexibility. This powerful combination is what gives architects newfound freedom to focus on what they love most – designing remarkable buildings for those who will occupy and enjoy them for years to come.



**CENTRIA.com**  
1.800.759.7474

1005 Beaver Grade Road  
Moon Township, PA 15108-2944

Phone: 412.299.8000  
Fax: 412.299.8317



**FORMAVUE<sup>®</sup>  
WINDOWS**

Integrated windows for **LEGENDARY  
FORMAWALL<sup>®</sup> High Performance  
Building Envelope System**



# ONE SYSTEM INFINITE POSSIBILITIES



Formawall, CENTRIA's legendary flagship building envelope system, combines unprecedented design freedom with unmatched performance and a complete range of interlocking components, including Formavue windows.

CENTRIA Formavue windows are engineered and built exclusively as a fully integrated component of the Formawall high performance building envelope system. Attractive and highly durable, Formavue windows feature aluminum framing that incorporates a complete thermal break and integral head and sill joinery that marries seamlessly with Formawall panels.

Formavue windows - like Formawall panels - can be installed in a variety of configurations and are available in the widest range of colors to complement your Formawall building envelope.

High-quality Formavue windows are installed on thousands of Formawall building envelopes worldwide.



# FULLY INTEGRATED ULTIMATE PERFORMANCE

Windows are critical to a building envelope, providing natural daylight and views to the outside world. However, windows can be subject to condensation and a major source of building envelope energy inefficiency if not expertly installed. Proper detailing for wall integration is necessary to maintain critical air, water, and thermal barriers.

*Formavue windows solve these common issues.*

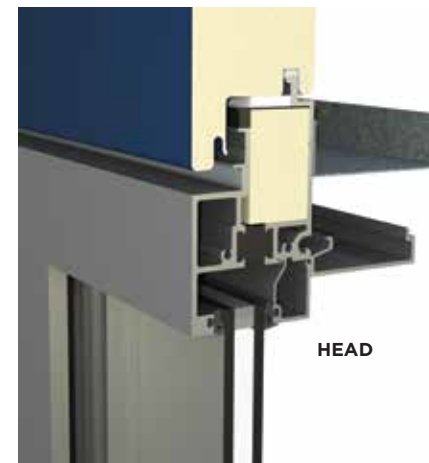
PUNCHED



STRIP



HORIZONTAL STACKED

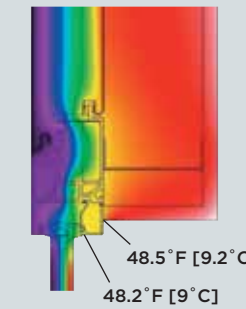


## INTEGRAL HEAD AND SILL JOINERY

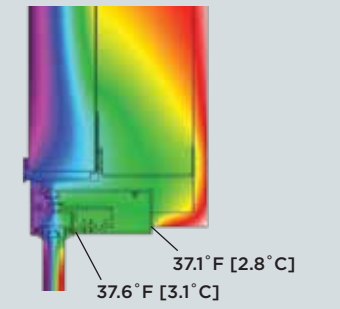
This intelligently integrated design eliminates the need for time-consuming window/wall interface detailing and ensures ultimate weathertightness, maximum thermal performance, and reduced opportunity for window condensation.

As dramatically illustrated by these thermographs, Formavue windows significantly increase thermal performance at the window wall interface.

FORMAVUE WINDOW  
HEAD



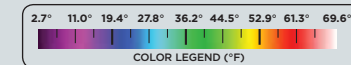
STANDARD  
NON-INTEGRATED WINDOW  
HEAD



FORMAVUE WINDOW  
SILL

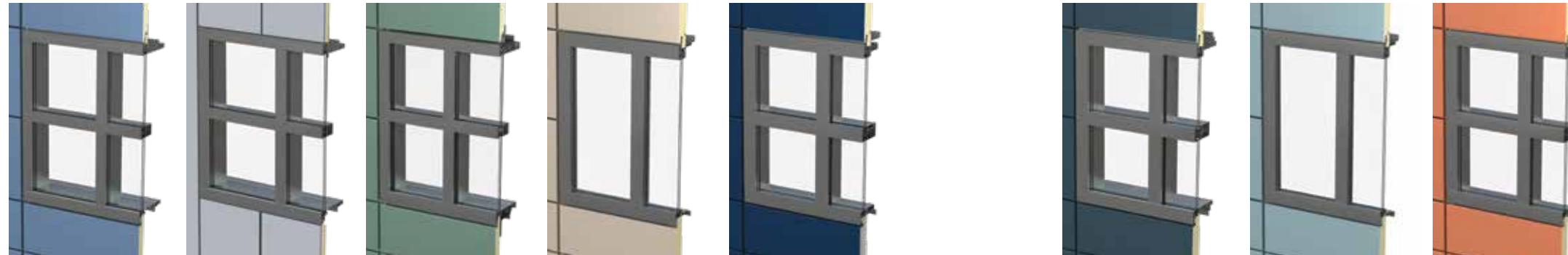


STANDARD  
NON-INTEGRATED WINDOW  
SILL



# INTEGRATED WINDOWS

## ULTIMATE EFFICIENCY



Window System	FV-400 (A/S)	FV-400V (A/S)*	FV-400HR	FV-600 (X)	FV-600 (A/S)	FV-600KD (A/S)	FV-650 (X)	FV-650 (A/S)
Panel Thickness	2"	2"	2", 3"	3"	3"	3"	2-1/2"	2-1/2"
Orientation	Horizontal	Vertical	Horizontal	Horizontal	Horizontal	Horizontal and Vertical	Horizontal	Horizontal
Window Design	Punched and Strip	Punched and Strip	Punched and Strip	Punched and Strip	Punched, Strip, and Stack Rails	Punched, Strip, and Stack Rails	Punched and Strip	Punched, Strip, and Stack Rails
Interior Trim	Extruded and Painted	Extruded and Painted	Extruded and Painted	No Interior Trim	Extruded and Painted	Extruded and Painted	No Interior Trim	Extruded and Painted
Frame Assembly	Field Assembled	Field Assembled	Field Assembled	Shop Assembled	Shop Assembled Frames Field Applied Trim	Field Assembled	Shop Assembled	Shop Assembled Frames Field Applied Trim
Glazing	Exterior Glazed	Exterior Glazed	Exterior Glazed	Interior Glazed: Standard Exterior Glazed: Optional	Interior Glazed: Standard Exterior Glazed: Optional	Exterior Glazed	Interior Glazed: Standard Exterior Glazed: Optional	Interior Glazed: Standard Exterior Glazed: Optional
Window Height	Short (typically <4') Tall (>9'4")	Short (typically <4') Tall (>9'4")	Short (typically <4') Tall (>9'4")	Short (typically <4')	Tall (up to 9'4")	Tall (> than 9'4")	Short (typically <4')	Tall (up to 9'4")
Structural Supports	Studs (A) Thru-Tubes (S)	Studs (A) Thru-Tubes (S)	Thru-Tubes (S)	Studs	Studs (A) Thru-Tubes (S)	Studs (A) Thru-Tubes (S)	Studs	Studs (A) Thru-Tubes (S)

### ENJOY A 10-YEAR WEATHERTIGHT WARRANTY FOR ULTIMATE PEACE-OF-MIND

When installed by a CENTRIA trained installer, CENTRIA backs the performance of Formavue windows with a no cost 10-year Weathertight Warranty. Contact CENTRIA for details.



\* Also used for CENTRIA Versawall at all thicknesses: 2", 2-3/4" and 4".